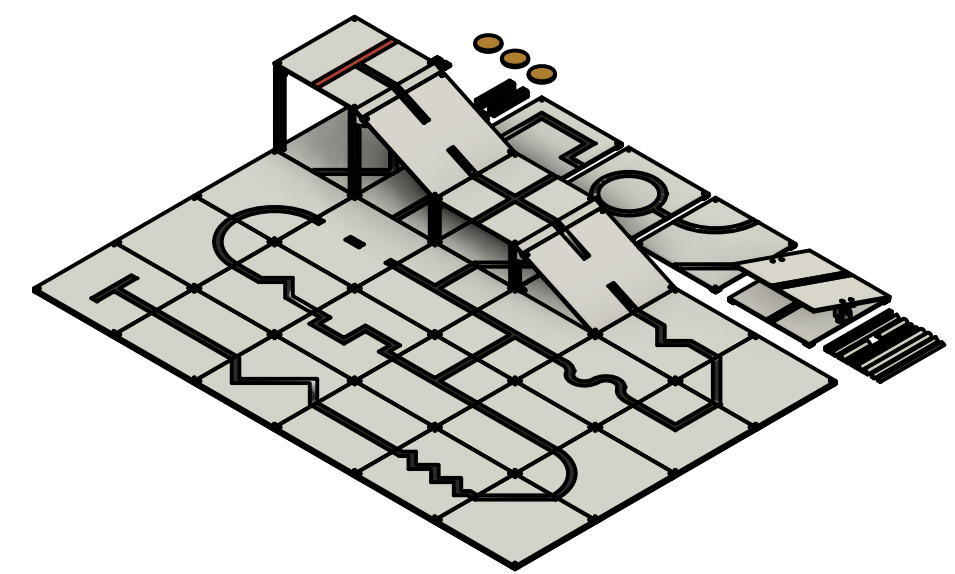
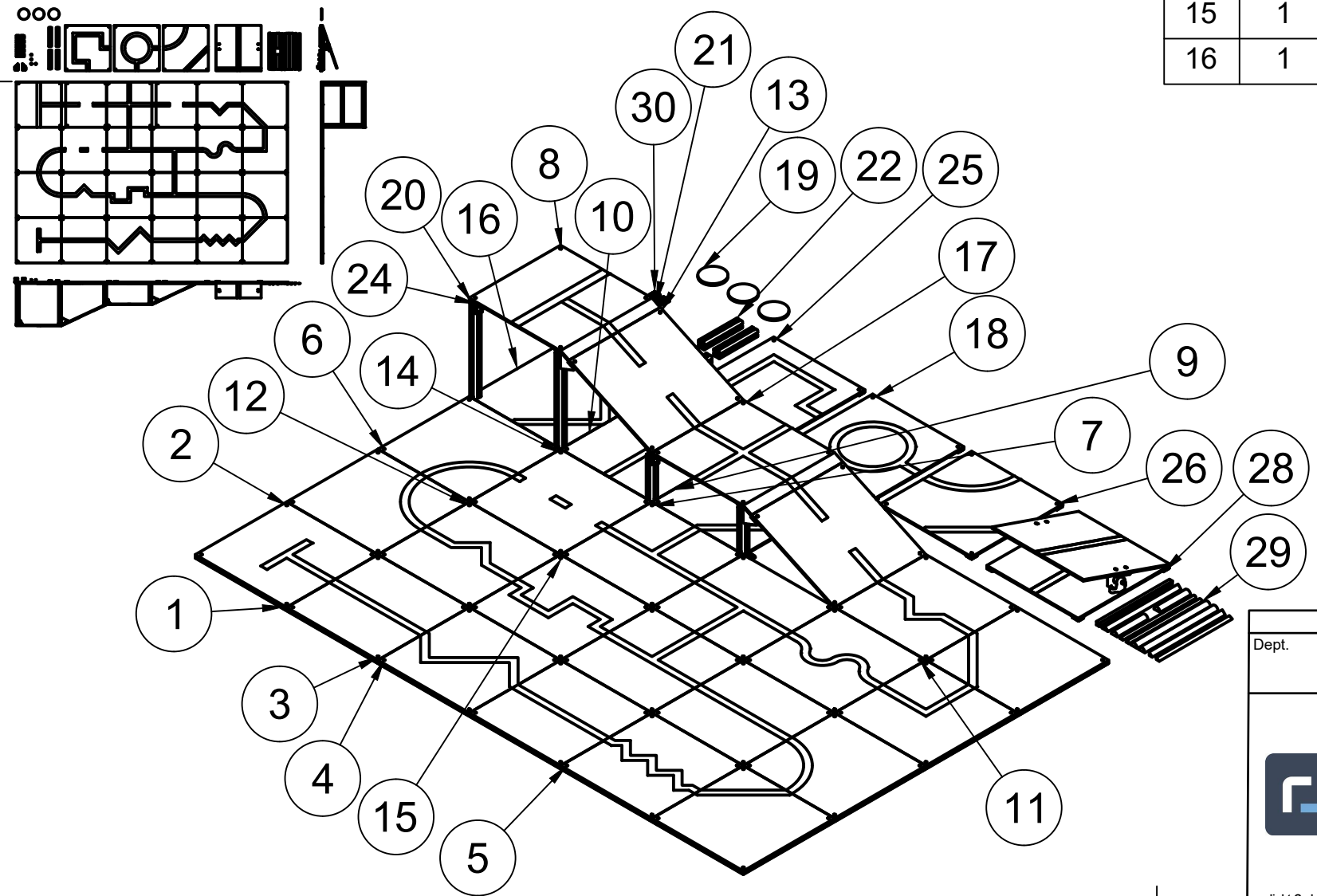



Parts List			
Item	Qty	Part Number	Part Name
17	1	01351	01351 Tile Intersection Assembly v3
18	1	01368	01368 Tile Roundabout Assembly v3
19	3	02043	02043 Line & Line Entry Checkpoint v4
20	4	02121	Profile I-5mm 20x20mm 265mm 02121 v3
21	2	01253	01253 Mount for Ramp Assembly v8
22	8	02119	Profile I-5mm 20x20mm 125mm 02119 v3
23	3	01158	01158 Mount for Elevation Left Assembly v7
24	3	01159	01159 Mount for Elevation Right Assembly v8
25	1	01371	01371 Tile Quintuple 90 Degrees XL Assembly v3
26	1	01377	01377 Tile 45 Degrees Round Corner Assembly v4
27	12	01163	ISO7380-1 M5x16 A2 01163 v2
28	1	01688	01688 Seesaw v9
29	1	01415	01415 Speed Bumps Set Line & Line Entry v4
30	10	01256	01256 Square Patch with Hole v5

Parts List			
Item	Qty	Part Number	Part Name
1	1	01801	01801 Floor for Rescue Arena 180x120cm Assembly v3
2	1	01355	01355 Tile Start Assembly v4
3	3	01346	01346 Tile Straight Assembly v3
4	1	01357	01357 Tile Zig Zag Assembly v4
5	1	01369	01369 Tile Double Zig Zag Assembly v3
6	3	01367	01367 Tile Round Corner Assembly v3
7	3	01356	01356 Tile T-Intersection Assembly v4
8	1	01354	01354 Tile Goal Assembly v3
9	3	01347	01347 Tile 45 Degrees Assembly v5
10	2	01348	01348 Tile 90 Degrees Assembly v3
11	1	01365	01365 Tile Serpentine Assembly v3
12	2	01374	01374 Tile 90 Degrees Kink Assembly v3
13	2	01352	01352 Tile Single Gap 100mm Assembly v3
14	1	01360	01360 Tile Double Gap Assembly v3
15	1	01370	01370 Tile 90 Degrees Zig Zag Assembly v3
16	1	01362	01362 Tile Y-Intersection Assembly v4



This drawing contains proprietary information belonging to rosslight GmbH. Its use for commercial purposes is prohibited.

Dept.	Technical reference	Created by Lara Trappmann 08/12/2025	Approved by Malte Rosskamp 08/12/2025
		Document type Drawing Overview	Document status Approved
		Project Title 02038 Basic Kit One	DWG No. 02038-DWG-1
rosslight GmbH - Friedrich-Barnewitz-Str 8 - 18119 Rostock - GERMANY		Rev. V6	Milestone Version4
		Sheet 1/1	